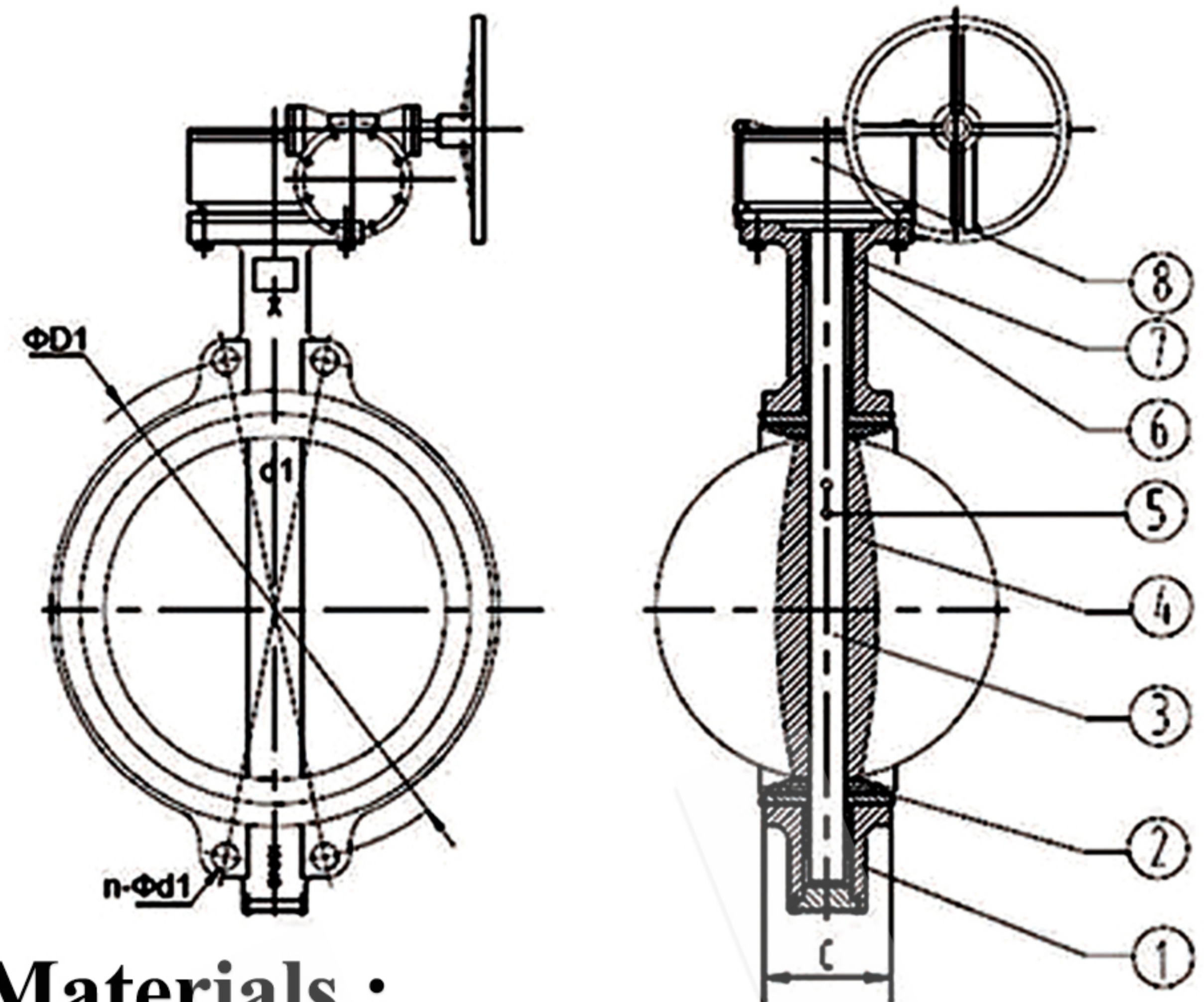




## Cast Iron Wafer Type Butterfly Valve, Universal, Gear Operator

Model : IBF-N04G



### Materials :

No.	Parts	Materials
1.	Body	CI
2.	Seat	EPDM
3.	Shaft	SS410 / SS416
4.	Disc	DI + NI / CF8 / CFM8
5.	Pin	SS410 / SS416 / SS316
6.	Bushing	PTFE
7.	O-ring	NBR
8.	Gear operator	Components

Test Requirements	
Working Pressure	150 PSI ( 10 Bar )
Maximum Pressure	200 PSI ( 14 Bar )
Shell Test Pressure	300 PSI ( 21 Bar )
Applicable Temperature	< 120 °C

### Specification Standards :

- Designed as standard : BS5155, DIN3202, ISO5752
- Flange as standard : DIN, BS, UNI, ISO, ANSI, JIS
- Top mounting flange as standard : ISO5211

### Features :

- Wafer type Connections
- Gear operator
- Concentric design

### Application :

- For general and industrial services
- Applicable medium : water, oil

### Dimensions

Size	DN	C	DIN PN 10 / 16		ANSI 150		JIS 10K	
			D1	n-ød1	D1	n-ød1	D1	n-ød1
10"	250	65.6	350 / 355	12-23/-27	362	12-25	355	12-25
12"	300	76.9	400 / 410	12-23/-27	432	12-29	400	16-25
14"	350	76.5	460 / 470	16-23/27	476	12-29	400	16-25
16"	400	86.5	515 / 525	16-27/30	540	16-29	510	16-27
18"	450	105.6	656 / 585	20-27/30	578	16-32	565	20-27
20"	500	131.8	620 / 650	20-27/30	635	20-32	620	20-27
24"	600	152	725 / 770	20-30/36	749.5	20-35	730	24-33
28"	700	163	840 / 840	20-30/36	863.5	24-35	840	24-33
32"	800	188	950 / 950	20-33/39	978	24-41	950	24-33
36"	900	203	1050 / 1050	24-33/39	1086	28-41	1050	24-33
40"	1000	216	1160 / 1170	24/-6/42	1200	32-41	1160	24-39

mm